

Series
VENTS OV1 R



Low pressure axial fans in the steel casing with the air flow up to **1070 m³/h** for wall mounting



OV1 R fan kitchen ventilation example

■ **Applications**

Supply and exhaust ventilation systems for commercial, office and other public or industrial premises where high air flow at relatively low system resistance is required. Fans can be used for the direct air exhaust and are mounted onto the external walls.

■ **Design**

Fan casings are made of steel with polymeric coating. Decorative front panel is made of high quality plastic. The terminal box is fitted with a cable for remote connection.

■ **Motor**

Single phase asynchronous motor with external rotor is equipped with thermal overheating protection with automatic restart. Motor rating protection IP44.

■ **Speed control**

Both smooth and step speed control is performed with the thyristor or autotransformer controller. Several fans can be connected to one controller in case the total power and operating current do not exceed the rated controller values.

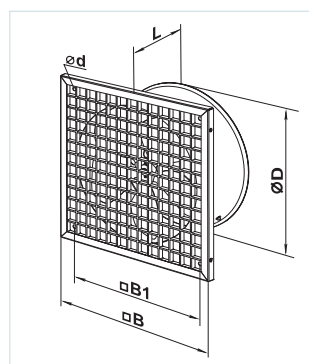
■ **Mounting**

The fan is installed on the wall surface by means of square mounting plate. The fan is powered through the remote terminal box.

Power supply and installation shall be performed in compliance with the manual and wiring diagram on the terminal box.

Fan overall dimensions

Type	Dimensions [mm]					Mass [kg]
	∅D	∅d	B	B1	L	
OV1 150 R	162	7	325	275	127	2.5
OV1 200 R	208	7	325	275	127	3.0
OV1 250 R	262	7	325	275	152	3.5



Designation key

Series	Spigot diameter	Options
VENTS OV1	150; 200; 250	R: decorative front panel

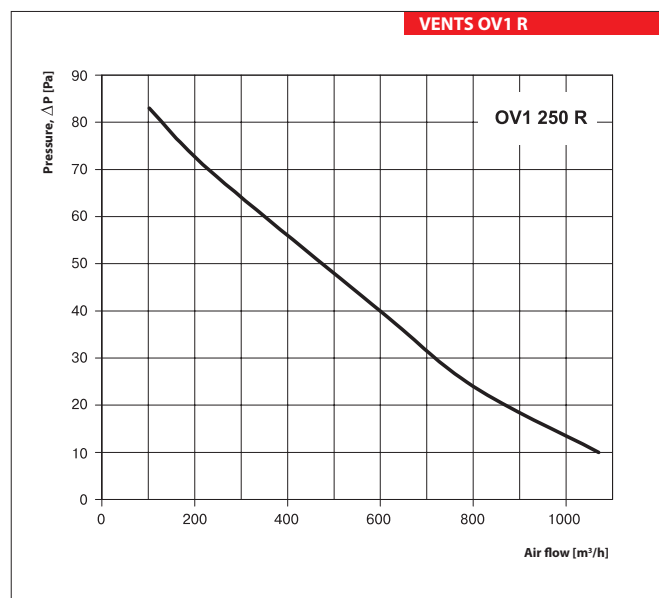
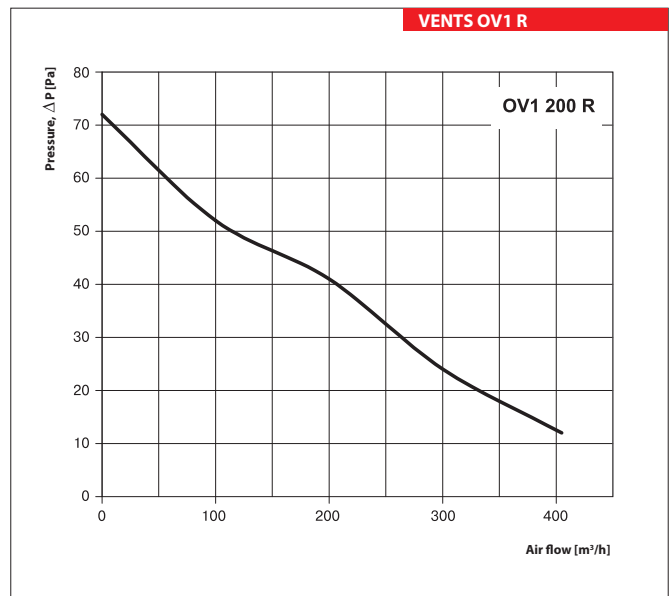
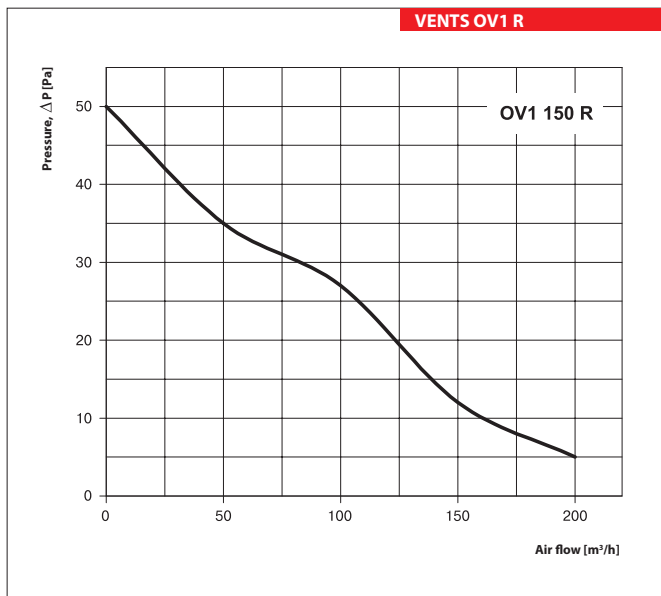
Accessories



Speed controllers

Technical data

	OV1 150 R	OV1 200 R	OV1 250 R
Voltage [V/50 Hz]	1~230	1~230	1~230
Power [W]	36	43	68
Current [A]	0.26	0.28	0.48
Max. air flow [m ³ /h]	200	405	1070
RPM [min ⁻¹]	1300	1300	1300
Noise level at 3 m [dBA]	33	32	37
Transported air temperature [°C]	40	40	40
Protection rating	IP24	IP24	IP24



VENTS
OV1 R
FAN SERIES