

## A...PRF Series



### Application

- For supply ventilation, air conditioning and heating.
- Designed for wall mounting or installation into false ceiling.
- Used to arrange correct air supply and circulation in premises.

### Design

- Made of high quality plastic (ABS plastic or polystyrene).
- Special aerodynamic disk valve design ensures uniform air distribution.
- Smooth air pass regulation due to rotation of central part of the damper.
- Easy mounting with fixing lugs.
- The internal part has a sealing ring for more tight fit.

### Grille modifications

#### A 150 PRF – models with a mounting flange



- Equipped with a mounting flange and a lock ring for easy connection to round Ø 150 mm air ducts.
- Mounting flange is fixed to false ceiling with screws.
- Lock ring provides easy fixing of the flexible air duct on a mounting flange.



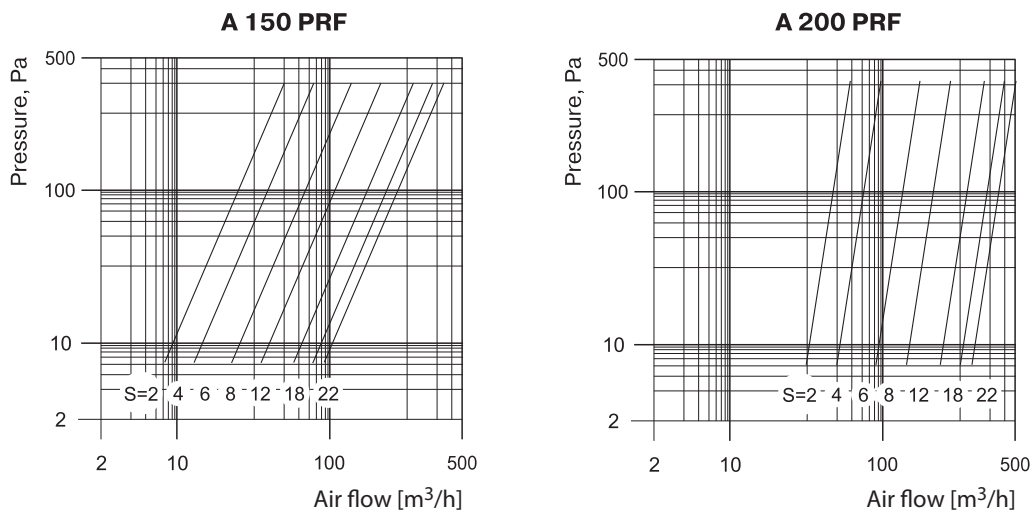
#### A 200 PRF – models with a mounting flange



- Equipped with a mounting flange and lock ring for easy connection to round Ø 200 mm air ducts.
- Two regulating elements for more perfect air flow distribution.
- Mounting flange is fixed to false ceiling with screws.
- Lock ring provides easy fixing of the flexible air duct on a mounting flange.



### Technical parameters



The internal part of the air disk valve is pulled out to ensure the required clearance  $S$  (mm) to provide required air flow according to the diagram.

### Overall dimensions

Model	Dimensions [mm]						Damper normal pitch, [mm]	Air pass, [m <sup>2</sup> ]	Fig. no.
	D	D1	D2	H max	H1	H2			
A 150 PRF	150	155	200	80.5	78	58	0...21	0...0.011	1
A 200 PRF	200	155	246	80.5	78	58	0...22	0...0.012	2

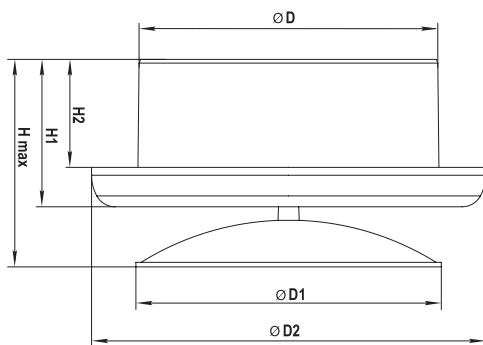


Fig. 1

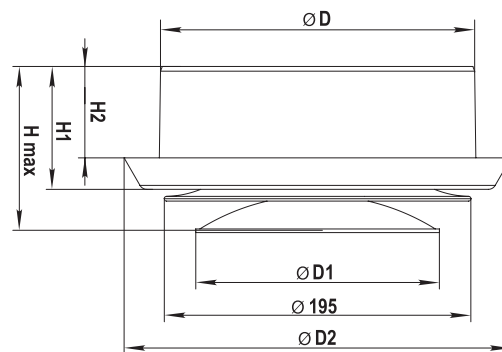


Fig. 2