

# SUPPLY AND EXHAUST MULTIPLE-ROW METAL GRILLES

## MVMP Series



### Application

- Decoration of exhaust vents of public, residential and industrial ventilation systems.
- For ventilation, air conditioning and heating.
- Used for correct air flow distribution in premises.
- Internal or external wall and ceiling mounting.

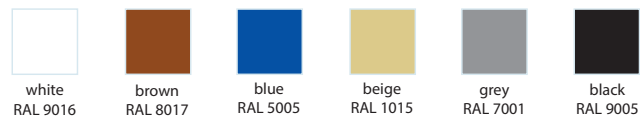
### Design

- Made of polymer-coated, galvanized steel or aluminium.
- Screw fixing.
- Quality materials and zinc-phosphate treatment ensure coating integrity and provide reliable corrosion protection.
- Modifications with a protecting insect screen are available.

### Modifications

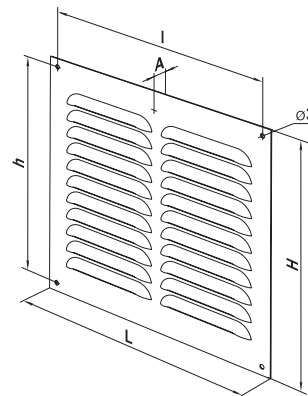
- **MVMP ...** – basic steel models with white polymer coating.
- **MVMP ... s** – steel models with white polymer coating and a protecting insect screen.
- **MVMP ... A** – aluminium grille models with white polymer coating.
- **MVMP ... s A** – aluminium models with white polymer coating and protecting insect screen.
- **MVMP ... A (no/p)** – aluminium grille models.
- **MVMP ... s A (no/p)** – aluminium models with a protecting insect screen.
- **MVMP ... Zn** – galvanized steel grille models.
- **MVMP ... s Zn** – galvanized steel models with a protecting insect screen.
- **MVMP ... «colour code»** – colourful polymer painted models.

### Colour modifications

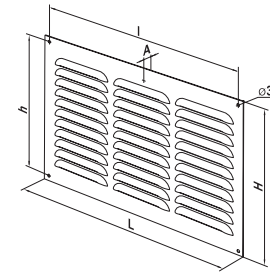


### Overall dimensions

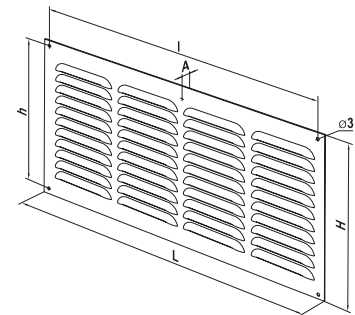
Model	Dimensions [mm]					Air pass, [m <sup>2</sup> ]	Number of rows
	L	H	l	h	A		
MVMP 195/2	195	195	181	181	0.8	0.0070	2
MVMP 195x245/2	195	245	181	231	0.8	0.0088	2
MVMP 200x100/2	200	100	186	186	0.8	0.0036	2
MVMP 200/2	200	200	186	186	0.8	0.0099	2
MVMP 200x250/2	200	250	186	238	0.8	0.0093	2
MVMP 200x300/2	200	300	186	286	0.8	0.0162	2
MVMP 200x350/2	200	350	186	336	0.8	0.0129	2
MVMP 200x405/2	200	405	186	391	0.8	0.0149	2
MVMP 215x150/2	215	150	201	136	0.8	0.0059	2
MVMP 240/2	240	240	226	226	0.8	0.0126	2
MVMP 240x140/2	240	140	226	126	0.8	0.0063	2
MVMP 240x190/2	240	190	226	176	0.8	0.0099	2
MVMP 245x195/2	245	195	231	181	0.8	0.0088	2
MVMP 250/2	250	250	236	236	0.8	0.0135	2
MVMP 250x80/2	250	80	236	66	0.8	0.0037	2
MVMP 250x110/2	250	110	236	96	0.8	0.0051	2
MVMP 250x140/2	250	140	236	126	0.8	0.0064	2
MVMP 250x150/2	250	150	236	136	0.8	0.0069	2
MVMP 250x170/2	250	170	236	156	0.8	0.0078	2
MVMP 250x200/2	250	200	236	186	0.8	0.0092	2
MVMP 250x300/2	250	300	236	286	0.8	0.0171	2
MVMP 250x350/2	250	350	236	336	0.8	0.0161	2
MVMP 250x400/2	250	400	236	386	0.8	0.0184	2
MVMP 250x450/2	250	450	236	436	0.8	0.0207	2
MVMP 250x500/2	250	500	236	486	0.8	0.0230	2



Model	Dimensions [mm]					Air pass, [m <sup>2</sup> ]	Number of rows
	L	H	l	h	A		
MVMP 300x100/3	300	100	286	86	0.8	0.0054	3
MVMP 300x210/3	300	210	286	196	0.8	0.0162	3
MVMP 300x250/3	300	250	286	236	0.8	0.0189	3
MVMP 300x290/3	300	290	286	276	0.8	0.0230	3
MVMP 300/3	300	300	286	286	0.8	0.0243	3
MVMP 305x150/3	305	150	291	136	0.8	0.0084	3
MVMP 305x200/3	305	200	291	186	0.8	0.0112	3
MVMP 305x250/3	305	250	291	236	0.8	0.0140	3
MVMP 305x300/3	305	300	291	286	0.8	0.0168	3
MVMP 305x350/3	305	350	291	336	0.8	0.0196	3
MVMP 305x400/3	305	400	291	386	0.8	0.0224	3
MVMP 305x450/3	305	450	291	436	0.8	0.0252	3
MVMP 305x500/3	305	500	291	486	0.8	0.0280	3
MVMP 350x150/3	350	150	336	136	0.8	0.0096	3
MVMP 350x200/3	350	200	336	186	0.8	0.0129	3
MVMP 350x250/3	350	250	336	236	0.8	0.0161	3
MVMP 350x300/3	350	300	336	286	0.8	0.0193	3
MVMP 350/3	350	350	336	336	0.8	0.0225	3
MVMP 350x400/3	350	400	336	386	0.8	0.0257	3
MVMP 350x450/3	350	450	336	436	0.8	0.0289	3
MVMP 350x500/3	350	500	336	486	0.8	0.0321	3
MVMP 360x140/3	360	140	346	126	0.8	0.0093	3
MVMP 360x180/3	360	180	346	166	0.8	0.0119	3



Model	Dimensions [mm]					Air pass, [m <sup>2</sup> ]	Number of rows
	L	H	l	h	A		
MVMP 400x200/4	400	200	386	186	0.8	0.0147	4
MVMP 400x250/4	400	250	436	236	0.8	0.0184	4
MVMP 400x300/4	400	300	386	286	0.8	0.0324	4
MVMP 400x350/4	400	350	386	336	0.8	0.0257	4
MVMP 400/4	400	400	386	386	0.8	0.0294	4
MVMP 400x450/4	400	450	386	436	0.8	0.0331	4
MVMP 400x500/4	400	500	386	486	0.8	0.0367	4
MVMP 450x250/4	450	250	436	236	0.8	0.0207	4
MVMP 450x300/4	450	300	436	286	0.8	0.0248	4
MVMP 450x350/4	450	350	436	336	0.8	0.0289	4
MVMP 450x400/4	450	400	436	386	0.8	0.0331	4
MVMP 450/4	450	450	436	436	0.8	0.0372	4
MVMP 450x500/4	450	500	436	486	0.8	0.0413	4



Model	Dimensions [mm]					Air pass, [m <sup>2</sup> ]	Number of rows
	L	H	l	h	A		
MVMP 500x250/5	500	250	486	236	0.8	0.0236	5
MVMP 500x300/5	500	300	486	286	0.8	0.0276	5
MVMP 500x350/5	500	350	486	336	0.8	0.0321	5
MVMP 500x400/5	500	400	486	386	0.8	0.0367	5
MVMP 500x450/5	500	450	486	436	0.8	0.0413	5
MVMP 500/5	500	500	486	486	0.8	0.0459	5

