



Installation instructions

CO2-3

CO₂ sensor

The **CO2-3** sensor is a bundled product and is not subject to autonomous operation.

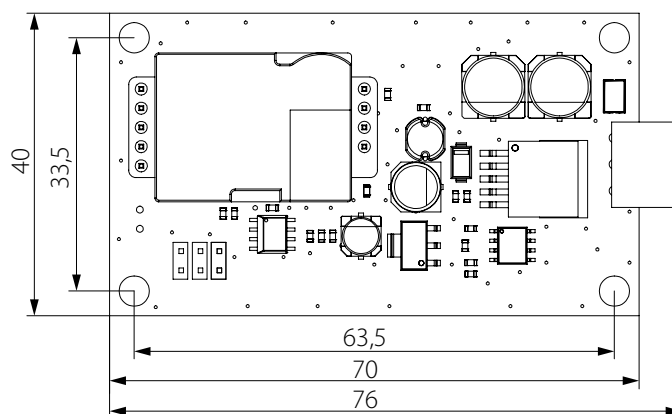
DELIVERY SET

Sensor - 1 pc.; nylon stands - 4 pcs.; Terminal block 15EDGK-3.5-03P-14 — 1 pc.*

*Excluded from the delivery set if the sensor is supplied as part of the product.

TECHNICAL DATA

Power supply voltage:	24 VAC. / DC (±10%)
Power consumption:	< 1.5 W / 24 V DC in standard conditions; < 2.9 VA / 24 V AC in standard conditions; 200 mA peak current
Carbon dioxide sensor:	Optical nondispersive infrared (NDIR) sensor with automatic calibration
CO ₂ measuring range:	0...2000 mln ⁻¹
CO ₂ output:	0 - 10 V
CO ₂ measurement error:	± 30 mln ⁻¹ and ± 3 % of the measured value
Service life of the sensitive element:	15 years
Gas exchange:	Diffusion
Ambient temperature:	0...+50 °C
Humidity:	0-95 % RH without condensation
Time for entering the operating mode:	Approx. 1 hour
Time for first data reading:	< 2 minutes
Electrical connection:	0.14–1.5 mm ² by screw clamps
Dimensions LxWxH:	76x40x15 mm

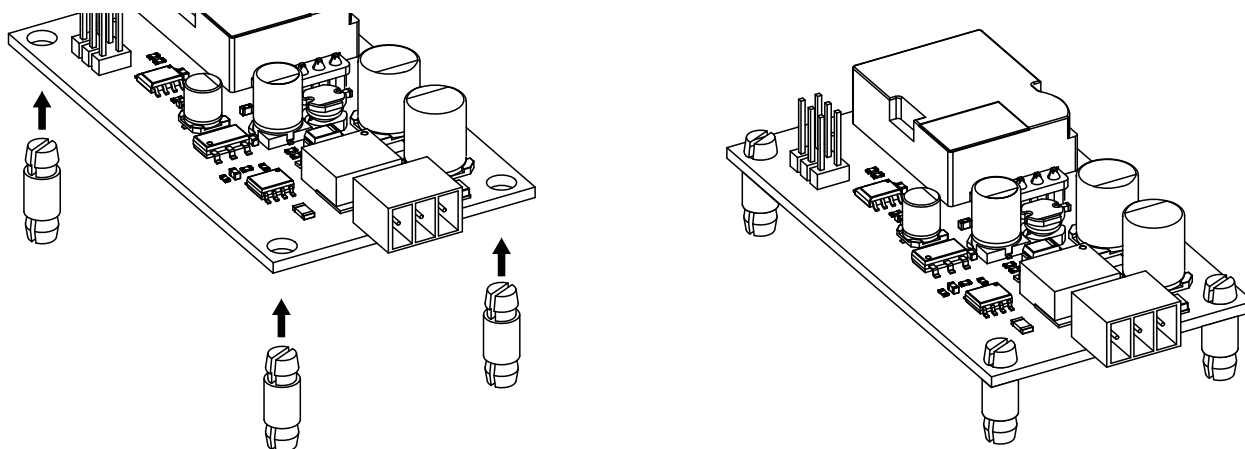


INSTALLATION

The sensor is installed inside the unit in the exhaust air duct after the filter up to the heat exchanger.

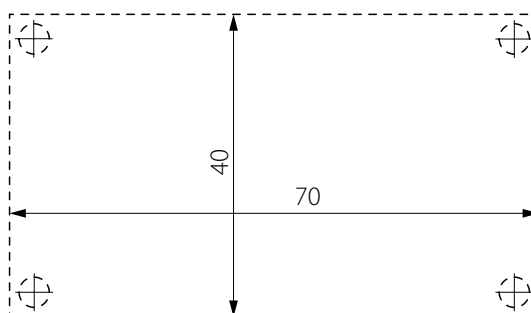
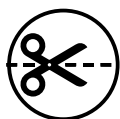
Sensor installation on nylon stands

Insert the stands into the sensor circuit board holes until it clicks.



Install the sensor circuit board inside the unit in the bracket holes or in the wall at location specified in the user manual.

If no holes for stands in the specified sensor location are available, mark with a template and drill \varnothing 4 mm holes and fasten the circuit board on stands in the holes you made.



CONNECTION

The **CO2-3** sensor is connected using the connector on the sensor circuit board and the corresponding connector on the device control unit (refer to user manual).

If the sensor is purchased separately, to connect the sensor, connect the supplied terminal block 15EDGK-3.5-03P-14 with the wires to the controlled device according to the purpose of the wires as indicated on the label.

Acceptance certificate	
CO ₂ sensor	
CO2-3	
Manufacture Date	Seller (name and stamp of the seller)
Quality Inspector's Stamp	Purchase Date